

CI/SfB	(29)	(K2)
CAW P10		
Uniclass JP10:L6811		

Product Information

Description

FP160 is a steel encased closer device for combustible pipes of up to 200 mm. Available in various lengths, it is the perfect solution for angled pipes. FP160 provides service integrity of up to 4 hours, dependant on substrate. It may be used directly in solid or flexible substrates, or within FB750 coated batts. Additional clips may be required in floors slabs.

Usage / Purpose

Used to seal combustible pipes as they pass through fire compartment walls and floors. When exposed to fire, the intumescent lining within the metal sleeve expands and fills the space left by the heat softened pipe thus reinstating the fire compartment line.

The product is suitable for retrofit or maybe installed prior to service installation. When used as a multibox or cable closer, foam smoke seals should be requested.

Available Sizes

- Circular:

Diameter	Length
55	140
82	140
110	140
160	140
200	200
55	300
63	300
82	300
110	300
160	300
200	300

- Rectangular:

Height	Width	Depth
110	54	140
204	60	140
225	25	140
300	25	140
220	90	200

Option: 3-sided version for direct soffit mounting is also available in various sizes.

- Other sizes and increased lengths are available to special order.

Packaging

Supplied individually

Colour

Red

Availability

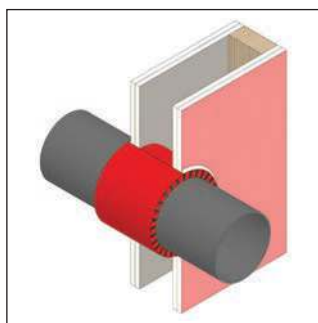
Direct from tremco illbruck (see back of leaflet for address and telephone details).

Usage Guidelines

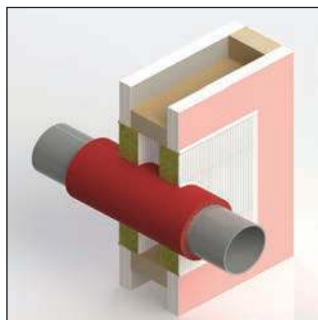
Installation

- Pull open FP160 and fit around pipe, cable or duct.
- Push FP160 through compartment wall ensuring equal overhang to each side.
- Close FP160.
- Seal in place using FS702 sealant in gaps up to 20 mm. Larger openings may be sealed with FB750.
- Annular spaces up to 60 mm may be packed using a minimum 60 mm depth of 64 kg rock mineral wool plus 3 mm of FS 702 to provide a smoke seal.
- Length of sleeve is relative to the depth of wall and should be specified when placing order.

Typical Details



FP160 Sleeve pipe penetration in dry lined wall

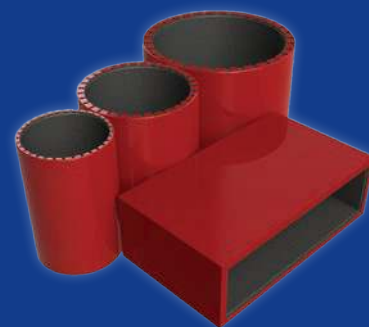


FP160 Sleeve pipe penetration with FB750 Batt

FPI60

Intumescent Sleeves

up to
240
mins



Key Benefits Summary

- Ultra-slim body design ensures easy installation in awkward situations – reduces time on site
- Less obtrusive than externally fitted fire collars – better aesthetics
- Tested to 2 hours integrity and insulation walls and 4 hours integrity and insulation when used within FR230 fire resistant compound floor seals

CE
ETA 17/0391

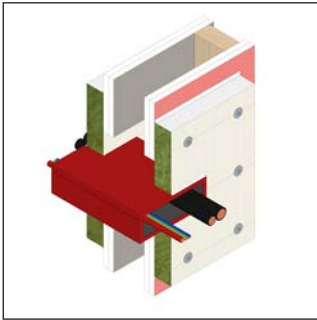
certifire
APPROVAL N° CF5363



FPI60

Intumescent Sleeves

Nullifire
Smart Protection



FP160 Sleeve cable penetration with
FB750 Batt

Storage

Store between -50°C and +65°C in dry conditions.

Shelf Life

50 years when stored as recommended.

Health & Safety Precautions

Safety data sheet must be read and understood before use.

Technical Service

tremco illbruck has a team of experienced Technical Sales Representatives who provide assistance in the selection and specification of products. For more detailed information, service and advice, please call Customer Services on 01942 251400.

Guarantee / Warranty

tremco illbruck products are manufactured to rigid standards of quality. Any product which has been applied (a) in accordance with tremco illbruck written instructions and (b) in any application recommended by tremco illbruck, but which is proved to be defective, will be replaced free of charge.

No liability can be accepted for the information provided in this leaflet although it is published in good faith and believed to be correct.

tremco illbruck Limited reserves the right to alter product specifications without prior notice, in line with Company policy of continuous development and improvement.