

CI/SfB	(29)	(K2)
CAW P10		
Uniclass JP10:L6811		

Product Information

Description

FP150 Pipe Collars consist of galvanised steel shell lined with intumescent material.

Usage / Purpose

FP150 Pipe Collars are used to stop the spread of smoke and fire along pipework that passes through compartment walls and floors. During a fire the intumescent expands within the steel casing and seals the pipe.

FP150 Pipe Collars are suitable for use in UPVC, PVC, ABS, PP, PE and Composite pipe penetrations through masonry floors and walls.

Typical areas of use include health and leisure facilities, schools, universities, commercial, retail and industrial buildings.

Available Sizes

Collars are available in 4 sizes to suit the following pipe outside diameters:

- 55 mm
- 82 mm
- 110 mm
- 160 mm

Packaging

Supplied individually

Availability

Direct from tremco illbruck (see back of leaflet for address and telephone details).

USAGE GUIDELINES

Necessary Tools

Fixing anchors or heavy duty screws, suitable masonry drill, 6.5 mm masonry drill bit, FS701 acrylic sealant to provide smoke seal.

Preparation

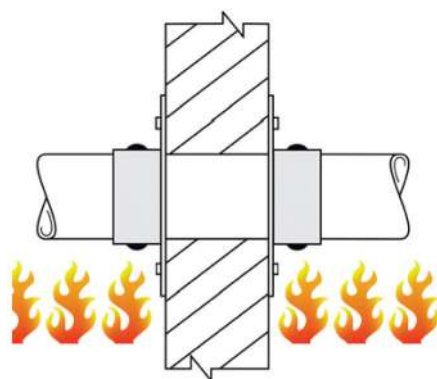
- Read any instructions supplied with collar prior to installation.
- Ensure the collar is the correct size for the pipe intended.
- The face of the wall/floor adjacent to the pipe must be smooth and free from debris to ensure a close fit.

Installation

- Position FP150 Pipe Collar around the pipe, and against the wall/floor.
- Slide the fixing clip in to position.
- Bend clip back to fasten collar around the pipe.
- Fix collar into place using suitable fixings as above.

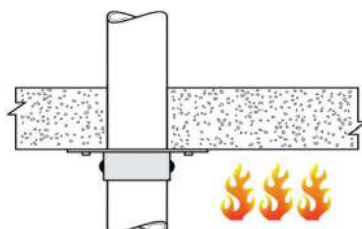
Wall Penetrations:

Where the direction of the fire risk is from both sides or is not known, a Pipe Collar should be fixed at both sides of the wall construction:



Floor Penetrations:

Where the pipe penetrates through a floor construction the Pipe Collar should be fixed to the underside only:



Maintenance

No maintenance required after installation. Routine inspection recommended to ensure no damage.

Storage

Store between +0°C and +40°C in dry conditions. Keep away from sources of ignition.

Shelf Life

Unlimited when stored as recommended.

Health & Safety Precautions

Safety data sheet must be read and understood before use.

FP150

Intumescent Pipe Collars

up to
240
mins



Key Benefits Summary

- Certified to the latest British and European standards BS EN 1366-3 and EN 13501: Pt 2
- Provides an effective barrier to the spread of smoke and fire for up to 2 hours
- Lightweight design and surface mounted installation requires no special tools or equipment
- Durable construction resistant to moisture
- Design allows for movement of the pipe during thermal expansion / contraction



FPI50

Intumescent Pipe Collars

Nullifire
Smart Protection

Performance

Substrate	Test Method	Pipe Diameter	Integrity (minutes)	Insulation (minutes)	
Masonry Wall	PVC/ UPVC	Up to 160 mm	120	120	
	PP	Up to 160 mm	120	120	
	PE	Up to 160 mm	120	120	
	Composite SBS/ASA/PVC		Up to 52mm	120	120
			52- 160 mm	90	90
	ABS	Up to 55 mm	90	90	
Masonry Floor	PVC/ UPVC	Up to 160 mm	120	120	
	PP	Up to 58 mm	120	120	
		58- 160 mm	60	30	
	PE	Up to 52mm	120	120	
	Composite SBS/ASA/PVC		Up to 52 mm	120	120
			52- 160 mm	60	60
ABS	Up to 160 mm	120	120		

Technical Service

tremco illbruck has a team of experienced Technical Sales Representatives who provide assistance in the selection and specification of products. For more detailed information, service and advice, please call Customer Services on 01942 251400.

Guarantee / Warranty

tremco illbruck products are manufactured to rigid standards of quality. Any product which has been applied (a) in accordance with tremco illbruck written instructions and (b) in any application recommended by tremco illbruck, but which is proved to be defective, will be replaced free of charge.

No liability can be accepted for the information provided in this leaflet although it is published in good faith and believed to be correct. tremco illbruck Limited reserves the right to alter product specifications without prior notice, in line with Company policy of continuous development and improvement.