

CI/SfB	(29)	(K2)
CAW P10		
Uniclass JP10:L68114		

## Product Information

### Description

FP300 is a simple to use self-adhesive intumescent pipe wrap used for sealing plastic and composite pipe penetrations.

### Usage / Purpose

FP300 is used to stop the spread of smoke and fire along services that pass through compartment walls and floors. The wrap fits around the circumference of the pipe within the depth of the substrate. In the event of a fire FP300 prevents the passage of fire and smoke by closing off the aperture within the compartment floor or wall when penetrated by plastic pipes.

FP300 is suitable for use with all common plastic and composite pipes (PVC, ABS, PE, PP, PB).

Typical areas of use include health and leisure facilities, schools, universities, commercial, retail and industrial buildings.

### Available Sizes

Pipe Size mm	Wrap Width mm	Wrap Length mm	Wrap Thickness mm
55	60	183	3.5
82	60	274	3.5
110	60	368	6
160	60	559	9.5

### Packaging

Supplied 20 per box

### Availability

Direct from tremco illbruck (see back of leaflet for address and telephone details).

## USAGE GUIDELINES

### Necessary Tools

Suitable material to seal any remaining gaps such as FS701 Acrylic, FR220 Structural Compound or FR270 High Strength Structural Compound.

### Preparation

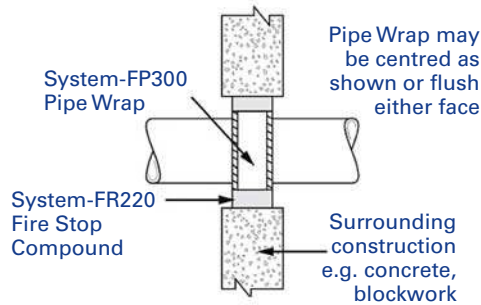
- Ensure aperture is of sufficient size to accommodate FP300 with approximately 10 mm gap.

### Installation

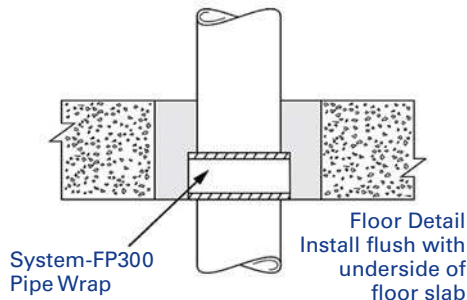
- Place FP300 Pipe Wrap around pipe and secure using adhesive tab.
- Push Wrap into position. Allow approximately 10 mm between the surface of the aperture and the edge of the Wrap.
- Fill gap around the pipe and Wrap with FR220 Compound.

### Wall Seals

(for wall thicknesses up to 150mm)

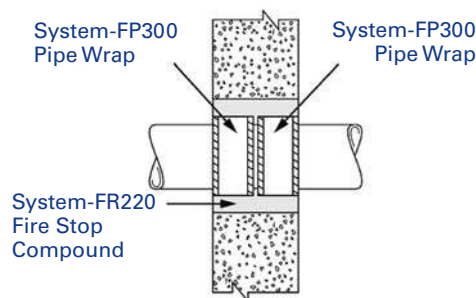


### Floor Seals



### Wall Seals

(for wall thicknesses over 150mm)



### Maintenance

No maintenance required after installation. Routine inspection recommended to ensure no damage.

# FP300

## Intumescent Pipe Wrap

up to  
**240**  
mins



### Key Benefits Summary

- Certified to the latest British and European standards EN 1366-3 and EN 13501: Pt 2
- Provides an effective barrier to the spread of smoke and fire for up to 2 hours
- Ready to use, and easy to install. No mechanical fixing required
- Can be utilised internally within FB747-50 Coated Board System



# FP300

## Intumescent Pipe Wrap

# Nullifire

Smart Protection

### PERFORMANCE

FIRE PERFORMANCE: Tested in accordance with BS 476: Part 20:1987 and EN 1366-3:2004

Substrate	Pipe Material	Pipe Diameter	Integrity	Insulation
Masonry Wall (single wrap central position)	PVC	Up to 160	120	120
	PP	Up to 55	60	30
		55 - 160	120	120
	PE	Up to 55	120	120
	Composite Aluplex	Up to 55	120	120
		55 - 160	60	60
ABS	Up to 160	120	120	
Masonry Floor (single wrap)	PVC	Up to 160	120	120
	PP	Up to 160	120	120
	PE	Up to 56	120	120
	Composite ABS/ASA/PVC	Up to 52	120	120
		52 - 160	60	60
	PVC Duct	110 x 54 310 x 28 180 x 95	120	120
Masonry Wall (two wraps either side and flush with substrate)	PVC	Up to 160	120	120
	PP	Up to 110	120	120
		110 - 160	120	60
	PE	Up to 110	120	120
		110 - 160	120	60
	Composite Aluplex	40	120	120
75		120	60	
ABS	Up to 160	120	120	

#### Storage

Store between +5°C and +35°C in dry conditions.

#### Shelf Life

Unlimited when stored as recommended.

#### Health & Safety Precautions

Safety data sheet must be read and understood before use.

#### Technical Service

tremco illbruck has a team of experienced Technical Sales Representatives who provide assistance in the selection and specification of products. For more detailed information, service and advice, please call Customer Services on 01942 251400.

#### Guarantee / Warranty

tremco illbruck products are manufactured to rigid standards of quality. Any product which has been applied (a) in accordance with tremco illbruck written instructions and (b) in any application recommended by tremco illbruck, but which is proved to be defective, will be replaced free of charge.

No liability can be accepted for the information provided in this leaflet although it is published in good faith and believed to be correct.

tremco illbruck Limited reserves the right to alter product specifications without prior notice, in line with Company policy of continuous development and improvement.